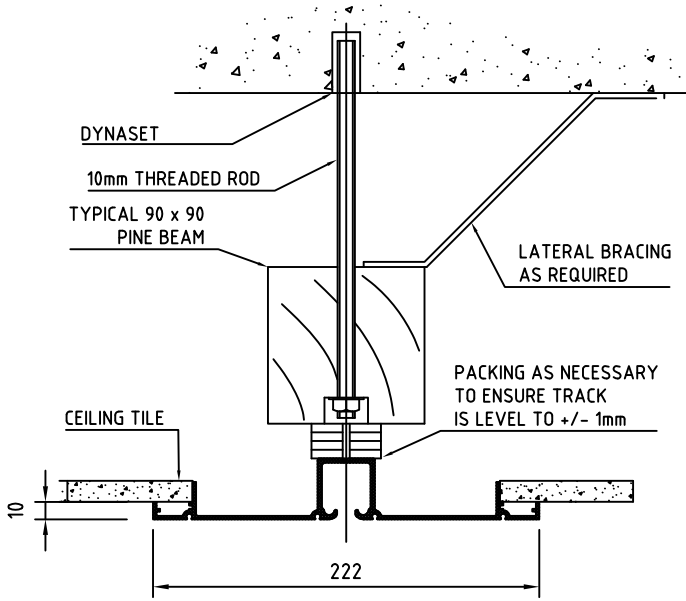




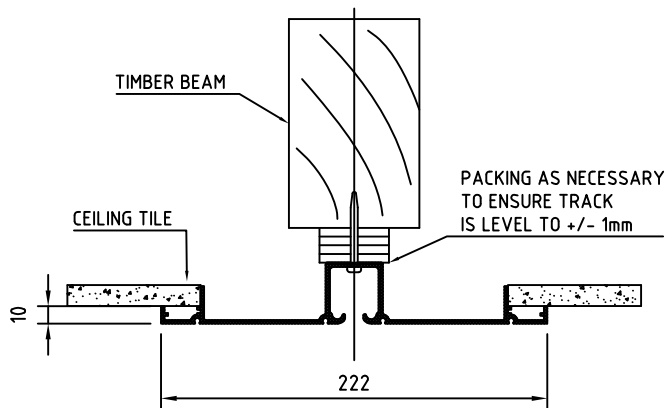
Acoustic Accordion





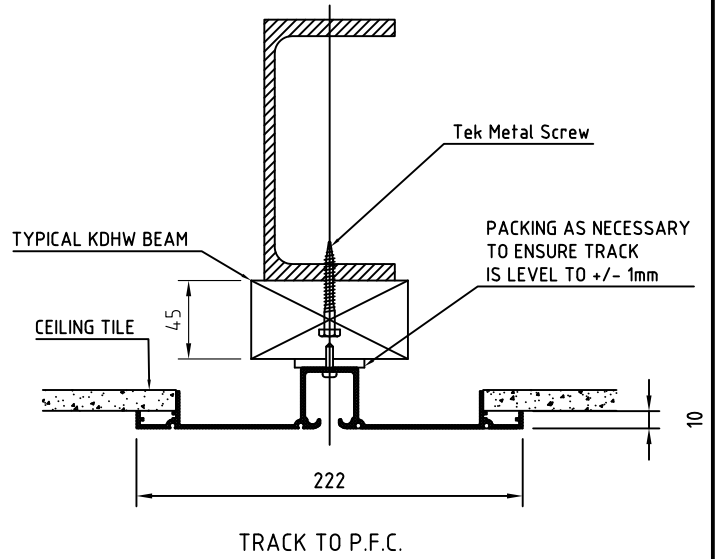
TRACK TO TIMBER FROM CONCRETE

FOR USE IN SUSPENDED CEILINGS  
FIXING TO STEEL BEAMS ABOVE  
OR ANCHORED INTO CONCRETE ABOVE

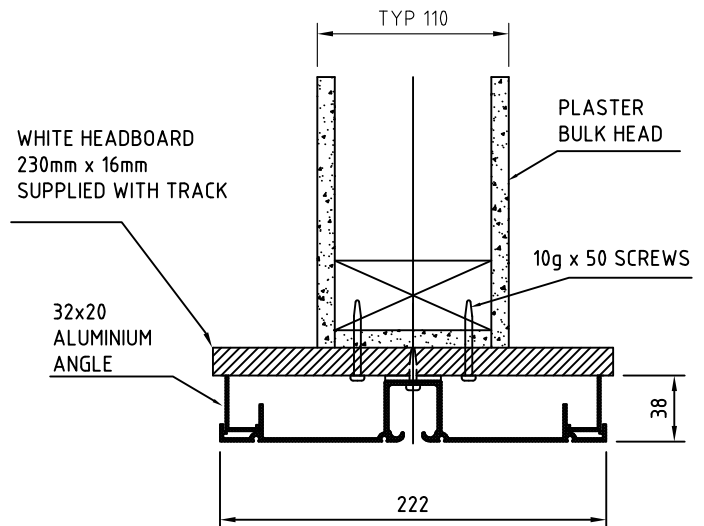


TRACK DIRECT TO TIMBER

WHERE ACCESS ABOVE CEILING IS  
DIFFICULT, SUITABLE BEAM MAY BE  
SUPPORTED AT EACH END BY SUITABLE  
KD HARDWOOD SECTION  
( MAXIMUM DEFLECTION 5mm UNDER LOAD )



TRACK TO P.F.C.



SURFACE MOUNTED TRACK

TYPICAL HEADWORK TRACK FIXINGS

- 4.5 X 50 CSK SCREW INTO WHITE HEADBOARD AND INTO OVERHEAD SUPPORT.
- 10G X 50 PAN HEAD INTO TRACK AND OVERHEAD SUPPORT. HOLES ARE FOR PAN HEAD SCREWS ARE PRE-DRILLED.

A	Headboard text to read MDF	07-02-11
REV	REVISION REMARKS	DATE

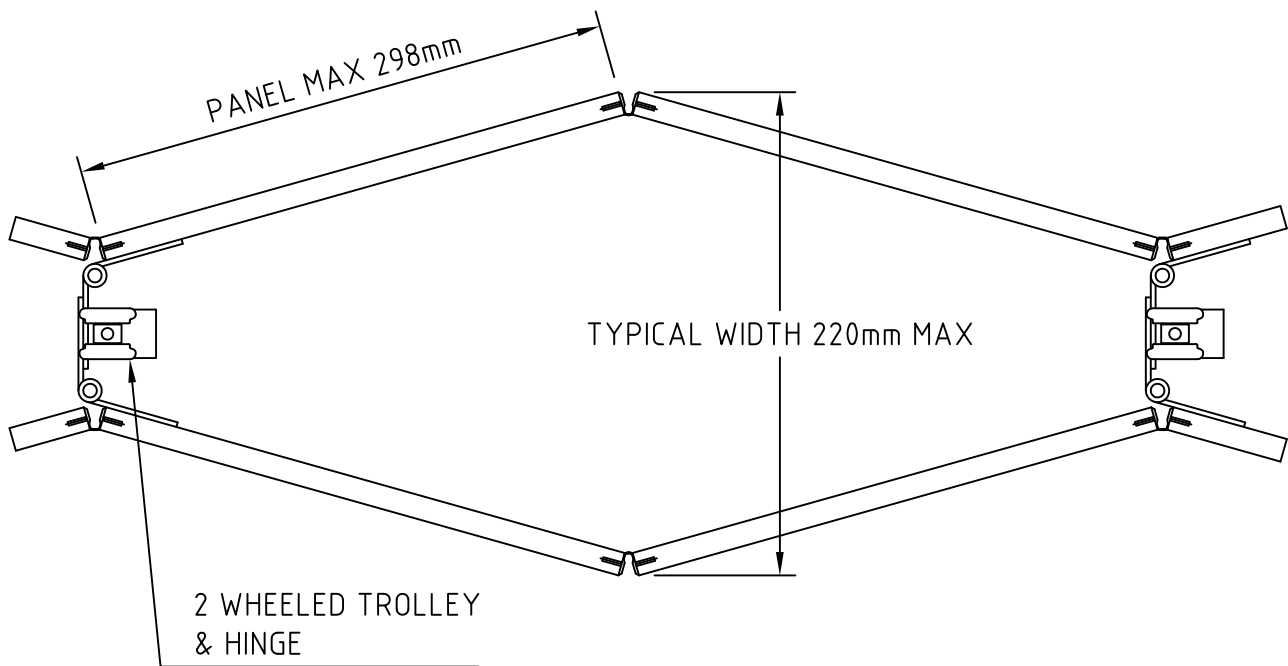
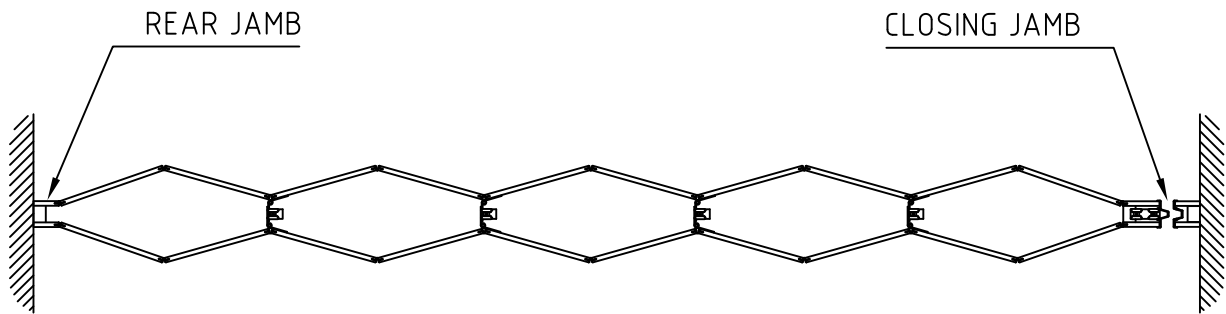
TITLE: **HEADWORK OPTION**

PRODUCT: **TIMBERLINE ACCORDION**

DRAWING NUMBER: **FA-0101**

SEQUENCE NUMBER: **1**





TYPICAL MODULE

REV	REVISION REMARKS	DATE

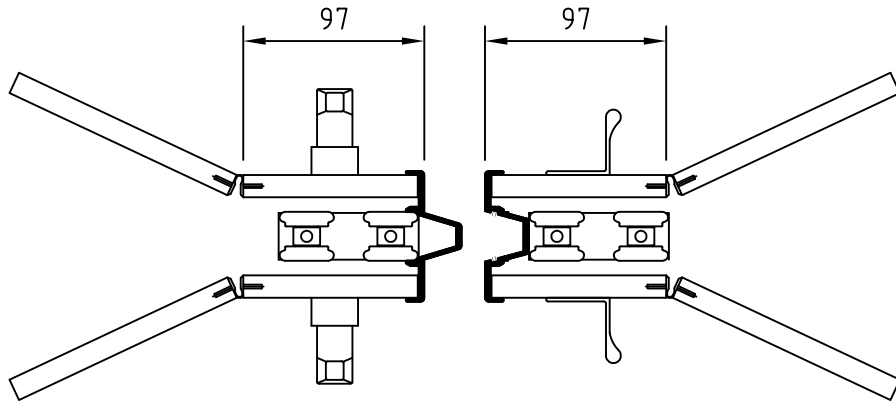
TITLE: PLAN VIEWS - SHEET 1 OF 2

PRODUCT: TIMBERLINE ACCORDION

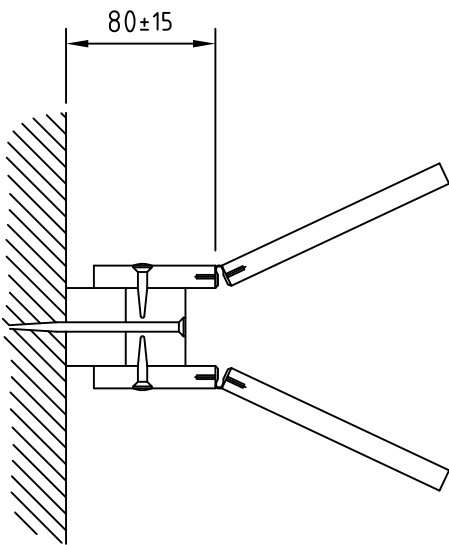
DRAWING NUMBER: FA-0102

SEQUENCE NUMBER: 2

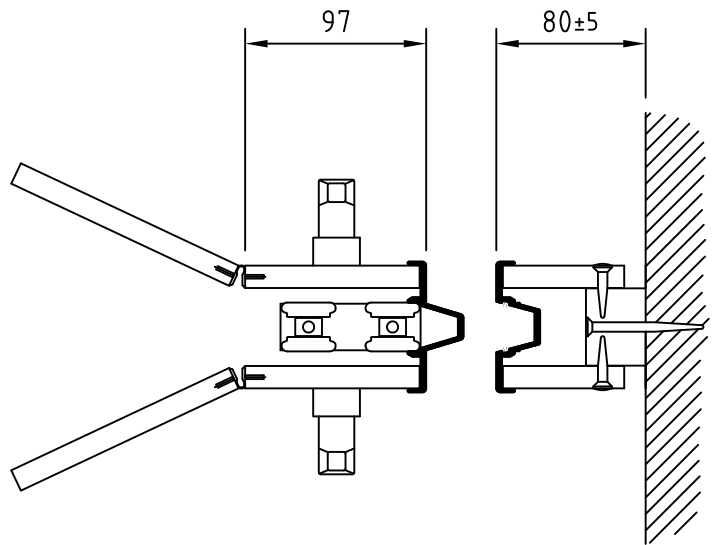
**LOTUS**  
www.lotusdoors.com.au



BIPARTING PAIR - CLOSING JAMBS



REAR JAMB



CLOSING JAMB

A	Included correct handle	08-02-11
REV	REVISION REMARKS	DATE

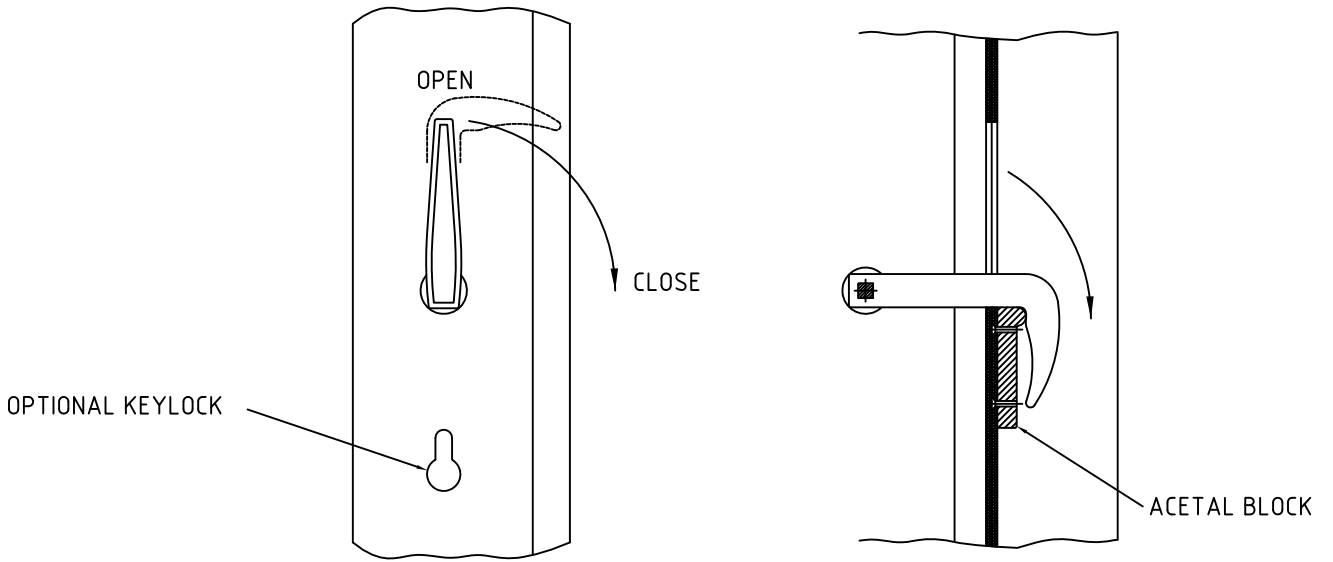
TITLE: **PLAN VIEW - SHEET 2 OF 2**

PRODUCT: **TIMBERLINE ACCORDION**

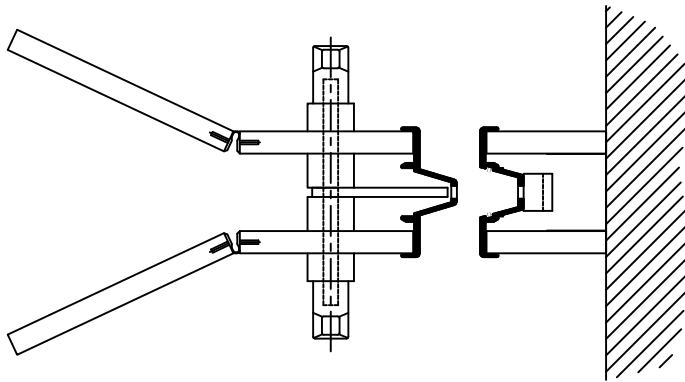
DRAWING NUMBER: **FA-0103**

SEQUENCE NUMBER: **3**





SECTION SHOWING DRAWTIGHT OPERATION



REV	REVISION REMARKS	DATE

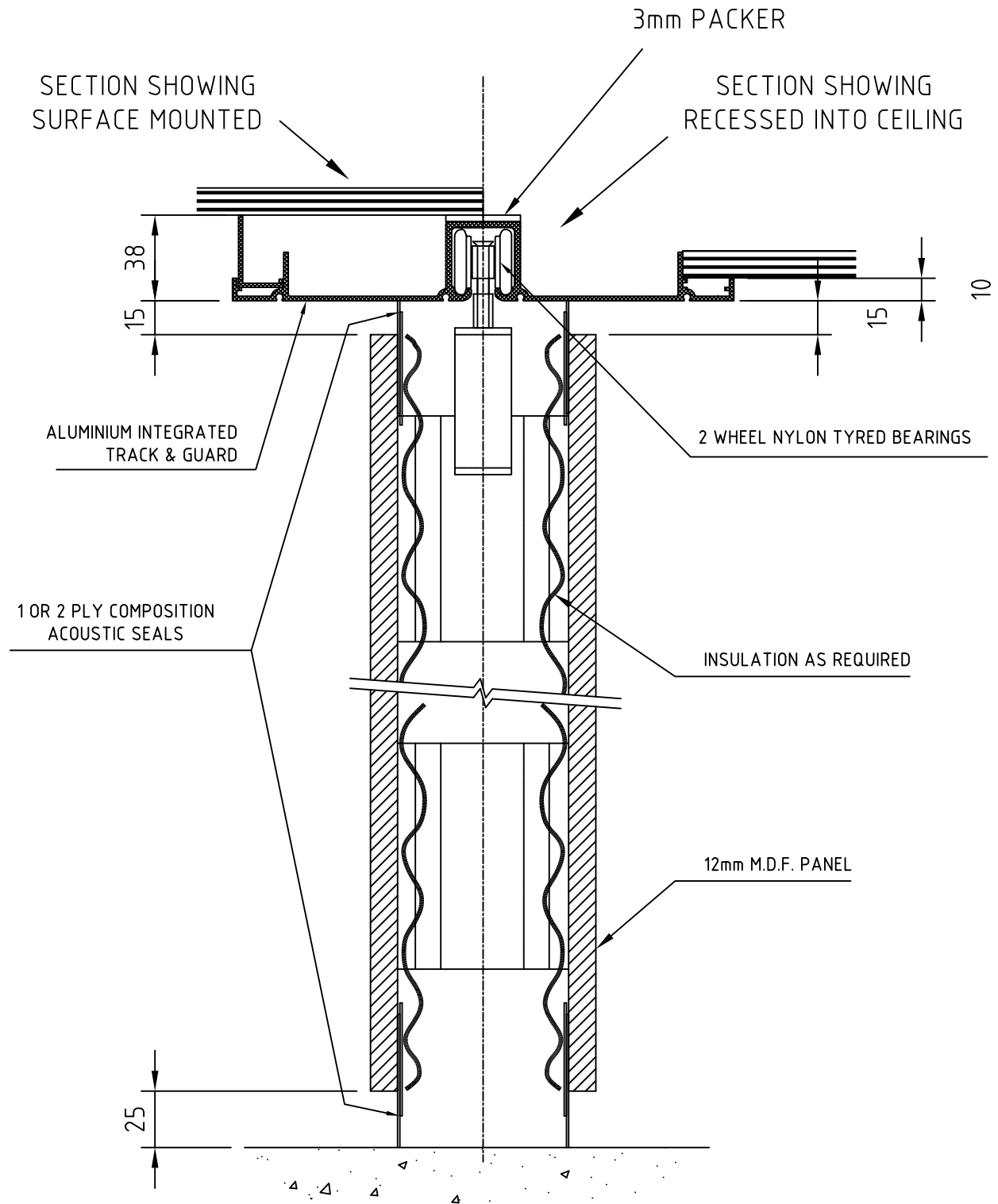
TITLE: **LATCHING**

PRODUCT: **TIMBERLINE ACCORDION**

DRAWING NUMBER: **FA-0104**

SEQUENCE NUMBER: **4**

**LOTUS**  
www.lotusdoors.com.au



REV	REVISION REMARKS	DATE

TITLE: **TYPICAL PANEL SECTION**

PRODUCT: **TIMBERLINE ACCORDION**

DRAWING NUMBER: **FA-0105**

SEQUENCE NUMBER: **5**

**LOTUS**  
www.lotusdoors.com.au